



广州市番禺宝联实业有限公司

Bao-Lian Industry Co.,Ltd

规格书 Specification

品名 Product: BL Spinner

版本 Revision: 1.4

呈送日期 Issuing date: 2018.08.17



Address: 广州市番禺区市桥镇市新路 42 号

No.42 Shi Xin Road, Pan Yu District , Guangzhou City, GuangDong Province, China

Tel: 020-84893809/ 020-84893819

Fax: 020-84894187

E-mail: Sales@bao-lian.com



BL Spinner

功能 Features

- 创新力学旋钮，使用顺畅，容易操作。Innovative spinner controller, easy to use
- 两种信号：开关新信号，脉冲信号。2 different signal outputs selectable: switch signal/ pulse signal
- 耐用金属旋转部件，双轴承，寿命长。Durable metallic body design and with two bearings
- 防潮塑胶外壳。Moisture-proof plastic cover design
- 360 度无限旋转，可提高游戏设计空间。360° spinning angle. Suitable for varies of games
- 七彩发光按钮，绚丽无比。Comes with automatic RGB LED lighting effect
- 采用高品质原材料。Made with highest quality raw materials

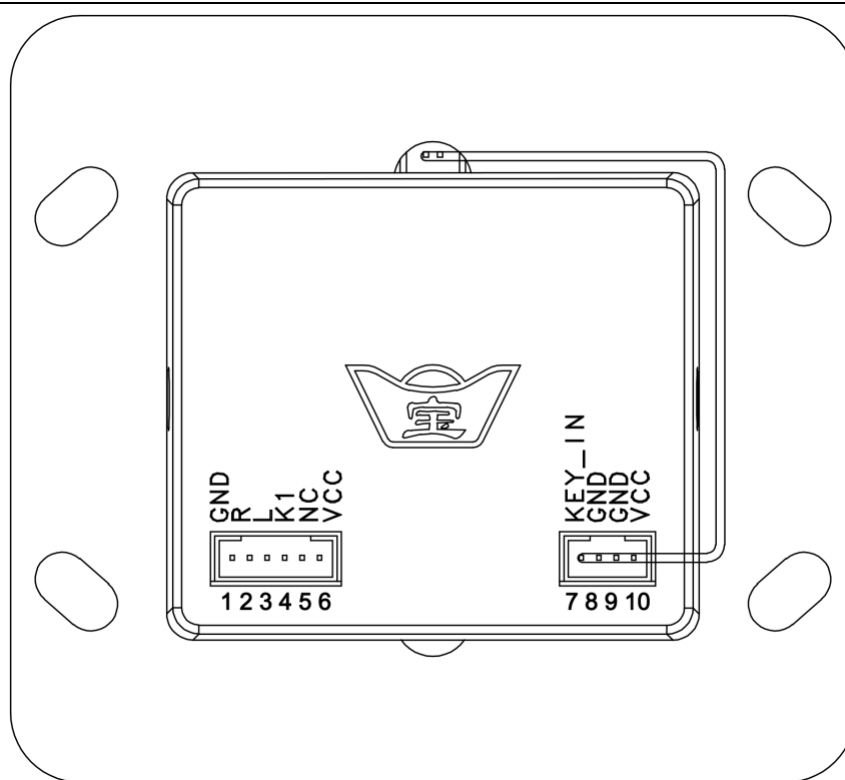
型号 Ordering information

信号类型 Signal type	产品编码 Product ID
脉冲信号 Pulse signal	10202083
开关信号 Switch signal	10202082



BL Spinner

控制端口说明 Connector instruction

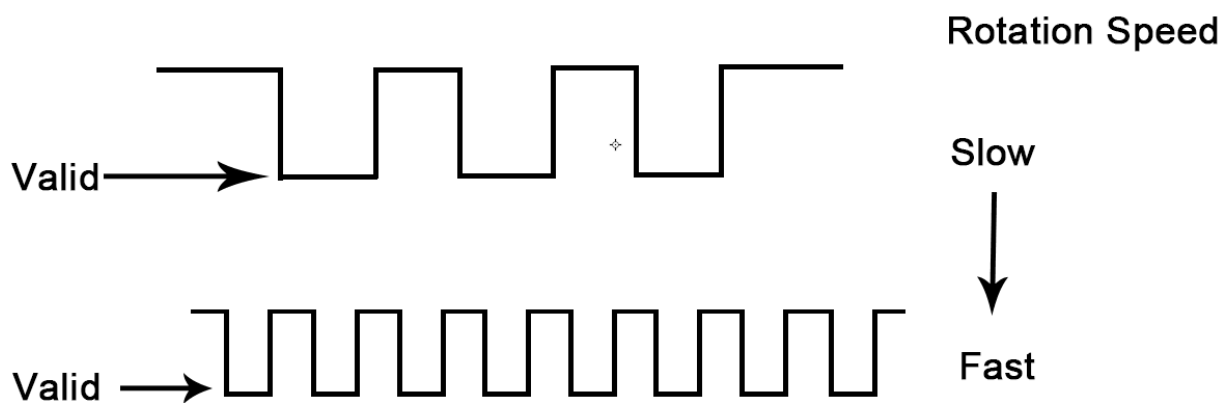


序号 No.	端子标识 Pin Label	备注 Note
1	GND	外接地 External Ground
2	R: Right	12V Right pulse signal output/12V Right switch signal output
3	L: Left	12V Left Pulse Signal output /12V Left switch signal output
4	K1	Not In Use
5	NC	Not In Use
6	VCC	External power supply 12V DC input
7	KEY_IN	Not In Use
8	GND	Not In Use
9	GND	Already connected to ground(For LED PCB)
10	VCC	Already connected to 12V DC(For LED PCB)

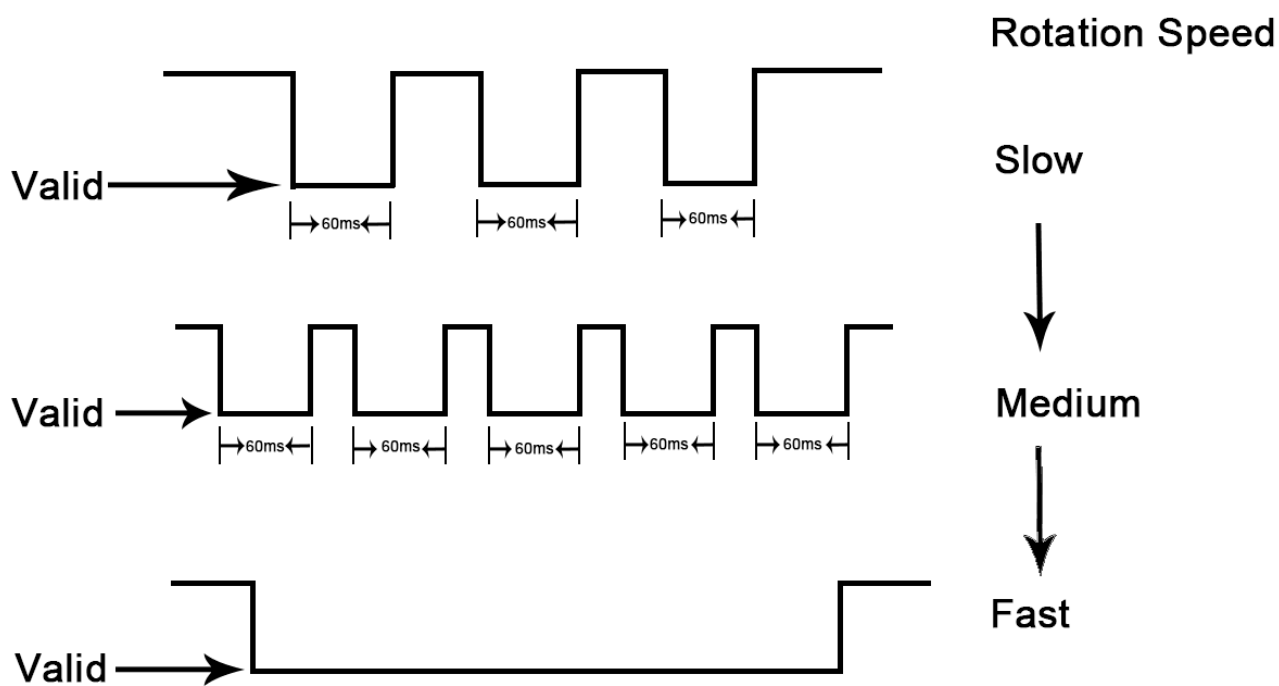


信号 Signal information

Pulse Signal



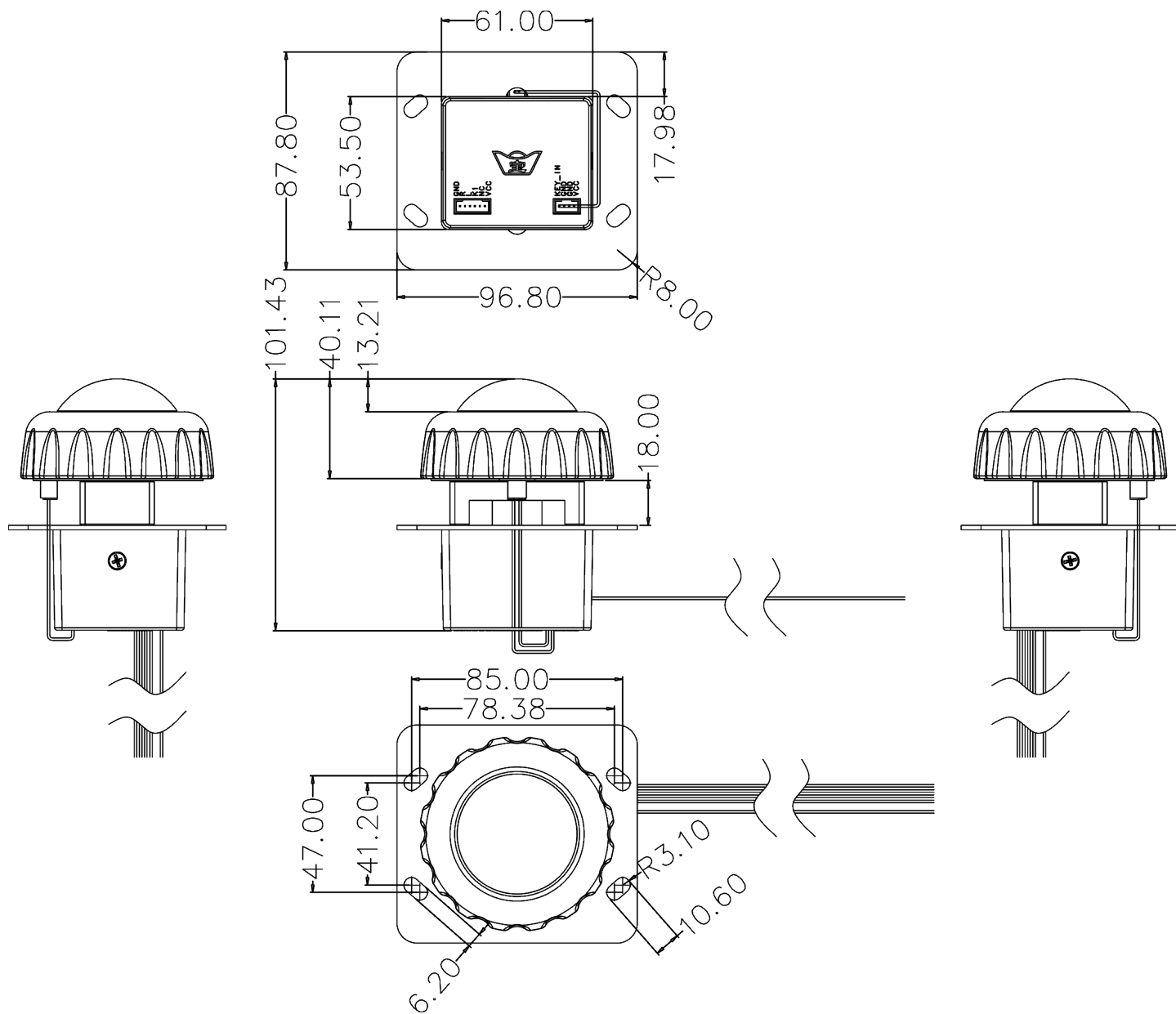
Switch Signal





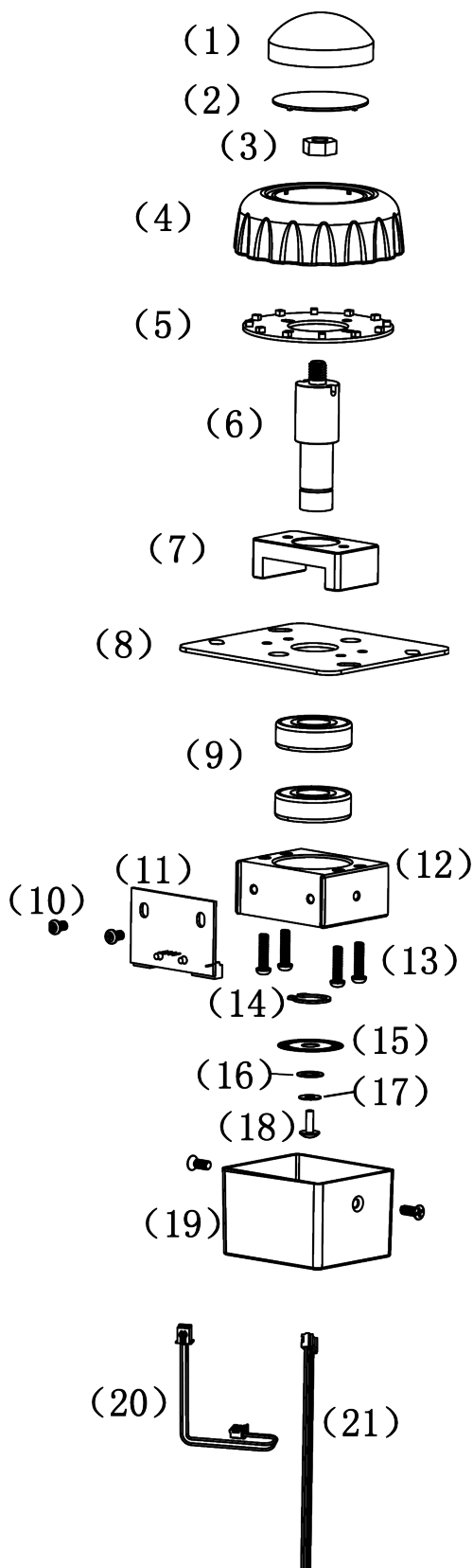
BL Spinner

外观尺寸 Dimensions





产品组装图 Assembly



组装零件列表 Parts list:

- (1) 20205008*1
- (2) 20205035*1
- (3) 20204092*1
- (4) 20204085*1
- (5) 20204085*1
- (6) 20204094*1
- (7) 20204095*1
- (8) 20204093*1
- (9) 20204099*2
- (10) 20204089*4
- (11) 20204098*1
- (12) 20204096*1
- (13) 20606130*4 + 20606140*4
- (14) 20204100*1
- (15) 20204097*1
- (16) 20408250*1
- (17) 20408270*1
- (18) 20204091*1
- (19) 20204086*1
- (20) 20204087*1
- (21) 20204088*1



BL Spinner

使用须知 Usage guide

- 不论在任何情形下都请勿分解、改造本产品，否则可能影响正常动作。In any circumstances, do not decompose, and modify the product, otherwise it may affect the normal operation.
- 制品功能可能无法充分发挥。请勿摔落产品。此外，请勿对产品施加可能让产品变形、变质的力道。The product features may not fully function. Do not drop the product. In addition, the product can be damaged if an unusual force is applied.
- 按钮的耐久性依按钮的使用情况而有相当大的差异。使用时请务必以实际使用条件进行实机确认，在无性能上问题之按钮次数内使用。The durability of the push button maybe different in different usage conditions. Please ensure the button is used in normal operating conditions.
- 请使用额定值以下之负载电压电流。否则可能影响性能且造成破损、烧毁。Please use the button within normal load voltage and current ratings. Otherwise it may affect the performance and cause damage and burning.
- 请勿于易燃易爆气体等环境下、及存在易燃性溶剂的场所中使用。伴随开关而来的电弧或开关发热等可能成为起火或爆炸的原因。Please do not use the button in any flammable and explosive gas environment. The electric arc or heat produced by the push button may cause fire or explosion.
- 请勿于腐蚀性气体或高温多湿环境下使用。可能造成接点接触故障或是因腐蚀而破损等的功能故障。Do not use the button in corrosive gas, high temperature and humidity environment. It may cause contact failure or damage to the button.
- 请勿在油中、水中使用，并请勿用于经常有水或油泼溅的环境。水或油侵入内部将会造成故障。Do not use the button under oil, water and any water or oil spilling environment. Water or oil will damage the button.
- 请勿在以下环境使用及保管本产品 Do not use or store the product in the following conditions:
 - 温度变化剧烈的场所 Places where the temperature changes rapidly.
 - 湿度高而有可能结露的场所 Places that is in high humidity and condensation condition.
 - 震动剧烈的场所 Sharp vibration places.
 - 阳光直射的场所 Places that is exposed to direct sunlight.

关于使用环境 Usage environment

- 此按钮为室内规格。若在户外使用，可能会造成开关故障。This product is only for indoor usage. Outdoor usage can damage the product.
- 在有微粉尘、泥状、异物堆积的地点，及有油、水飞散的地点等使用时，请特别小心，使用前请先以实际使用条件评估后，在无问题的条件下使用。Do not set the product in locations where powders, mud, or any other substances may be piled, or subject to any splashes of oil or water. Always test the product under actual usage conditions before application.