



广州市番禺宝联实业有限公司

**Bao-Lian Industry Co.,Ltd**

# 规格书 Specification

品名 Product: 八角轨迹球 A(5mm)  
Trackball(5mm)

版本 Revision: 1.0

呈送日期 Issuing date: 2018.10.26



Address: 广州市番禺区市桥镇市新路 42 号 No.42 Shi Xin Road, Pan Yu District , Guangzhou City,  
GuangDong Province, China  
Tel: 020-84893809020-84893819  
Fax: 020-84894187  
E-mail:sales@bao-lian.com



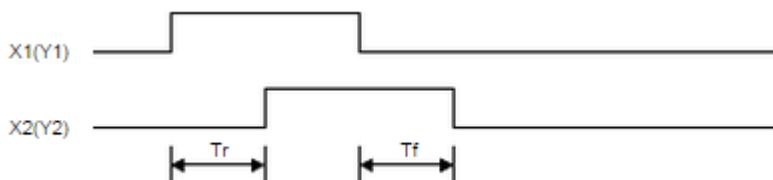
# Trackball(5mm)

## 功能 Features

- 通过树脂球转动带动轴转动，轴上带有光栅通档光耦输出方向移动信号，通过处理后输出动作信号给主机工作。  
The rotation of the ball will make the shafts to rotate. The output signals from the optical sensors are amplified and sent to the game machine.
- 可接游艺机主机进行主机要求的画面图象移动速度工作；  
Can be used for control of varies video game machines.

## 接线说明 Connector instruction

Signal Output Diagram 信号图

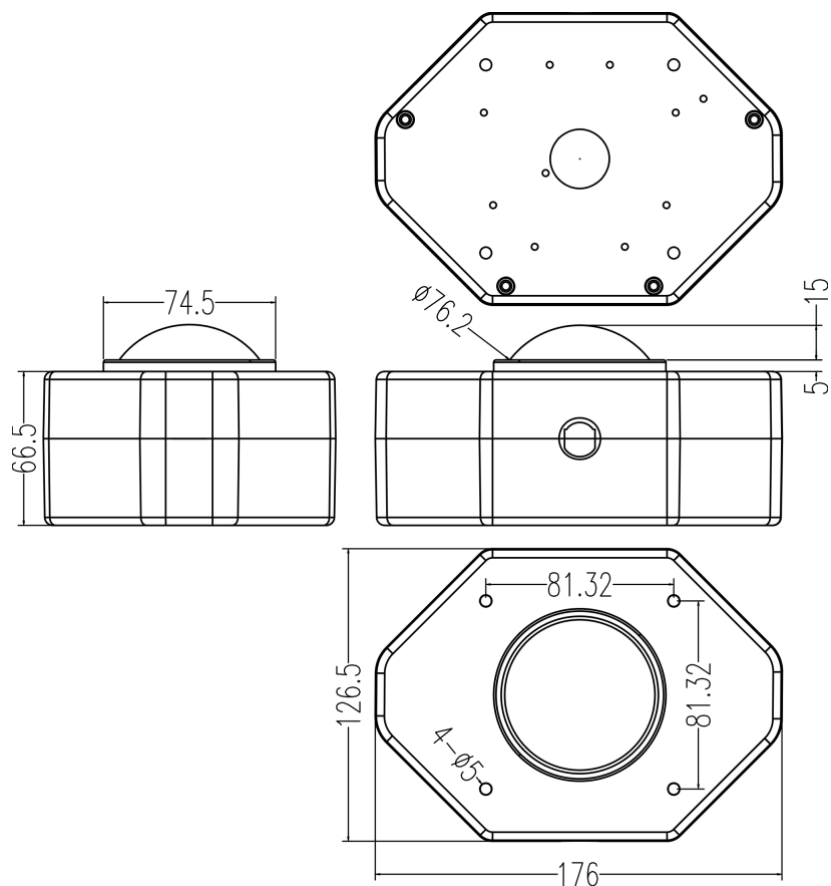


CONN A-Red 接头 A- 红	5 Volts
CONN A-Purple 接头 A- 紫	X1
CONN A-Blue 接头 A-蓝	X2
CONN B Red 接头 B-红	5 Volts
CONN B Black 接头 B-黑	GROUND
CONN B Yellow 接头 B-黄	Y1
CONN B Green 接头 B-绿	Y2

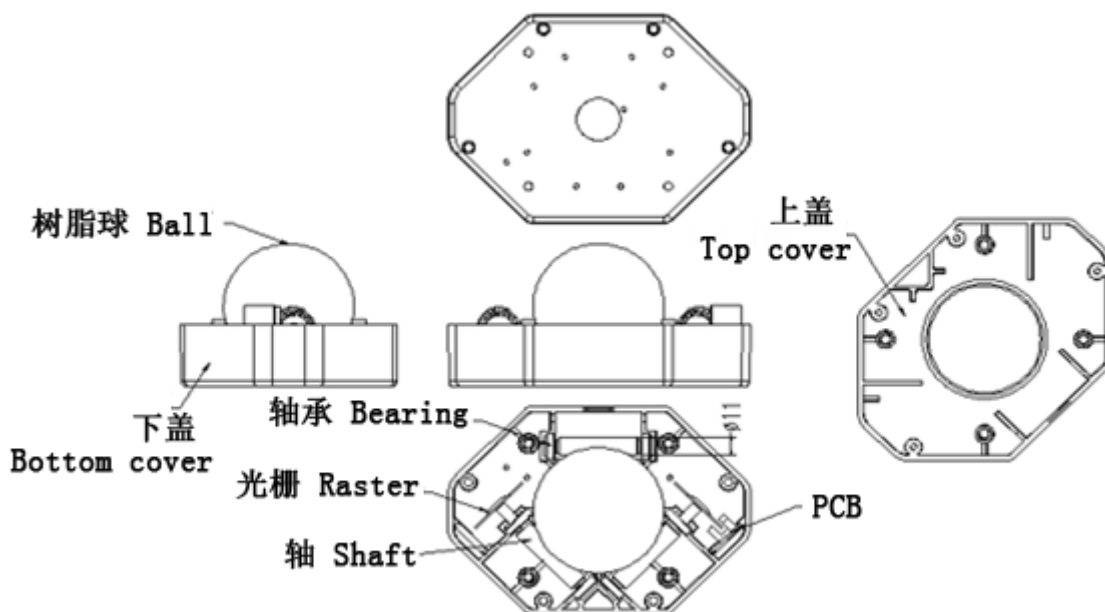


# Trackball(5mm)

## 外观尺寸 Dimensions



## 结构图 Structure





# Trackball(5mm)

## 使用须知 Usage guide

### 轨迹球清洁 Cleaning instructions

轨迹球使用需定期清理，清洁处理频率可视使用情况而定；或者：当转动轨迹球发现速度有点缓慢或灵敏度不够时，是时候该清理啦！清洁方法：The trackball needs to be cleaned regularly. The cleaning frequency can be determined according to the usage. Or: When the trackball is slow or the trackball sensitivity is not good, you need to clean it now.

Cleaning method:

1. 用螺丝刀去除固定轨迹球胶件的 4 个螺丝；但在这一步不要试图打开轨迹球胶盒；Use a screwdriver to remove the 4 screws. But please do not open the trackball covers at this step.
2. 紧紧的按住上下盖翻转轨迹球球面朝上，现可用双手将上下胶盖部份打开；Hold the top cover and bottom cover and put the ball on top.
3. 移除轨迹球上半部份胶件（上盖）；Remove the top cover.
4. 拿下树脂球,用干净的清水清洗；如需要可使用洗碟剂，用非麻质布擦拭干净；Remove the ball and rinse it with clean water. If necessary, can use a dishwashing agent and wipe it off with a non-hemp cloth.
5. 清洁轴和轴承(3 个金属圆柱条,球放置于上面)，采用消毒棉花粘上酒精擦拭干，这样可以让表面湿处在重新装上前完全干掉；Clean the shaft and bearing, and dry up with alcohol-dissolving cotton.
6. 重新装配可参考装配图、结构图、配线示意图；Re-assemble the trackball according to above drawings.

### 轨迹球清洁注意事项 Cleaning precautions

1. 注意不得颠倒方向打开胶壳(球面朝下)这样不小心会将所有内部零件倒出；When open the Top Cover, the ball can not be down, or the parts will be easily coming off
2. 需注意球体上不可碰有油脂液体或黏粘物或手上遗留的脏物；The ball can not touch any grease liquid or sticky material, and you hand must be clean.
3. 清洁前需拔除轨迹球与主机之间的连线；Please disconnect all electrical input before cleaning.
4. 翻转轨迹球时,桌面需放置一些软布等垫放，这样可保证树脂球不被碰撞坏；When overturn the trackball, the table should be placed with some soft cloth to ensure that the ball is not damaged by collision.